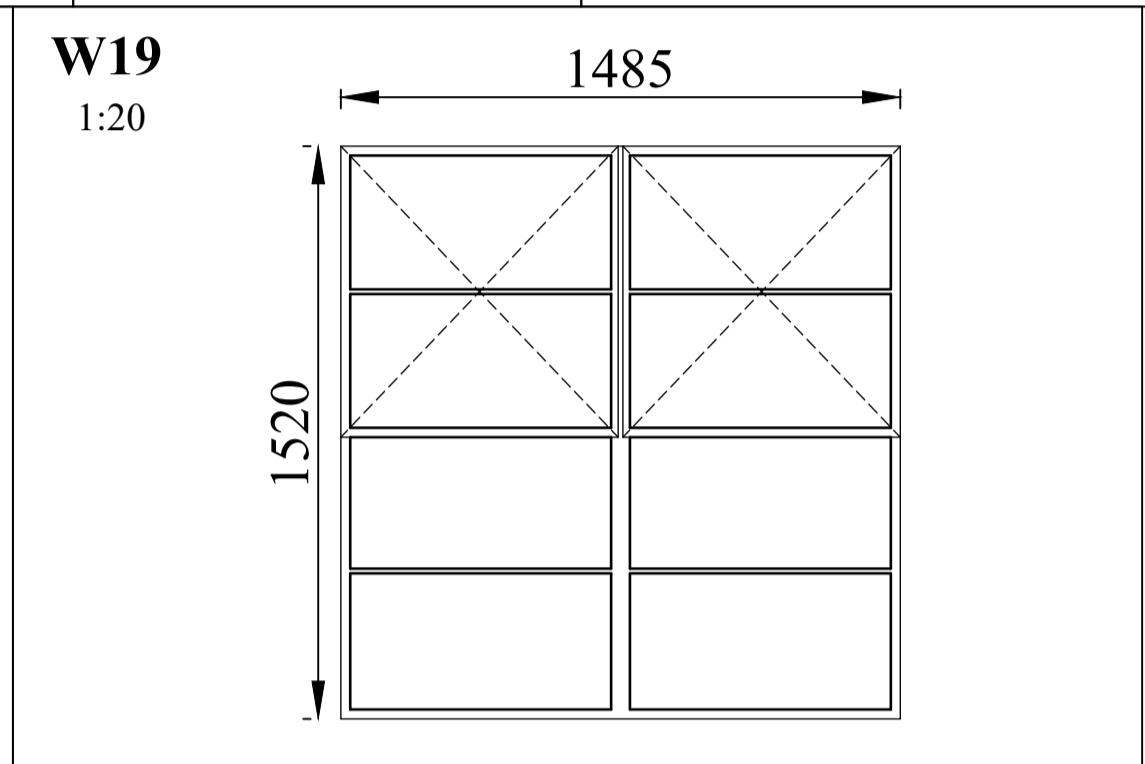
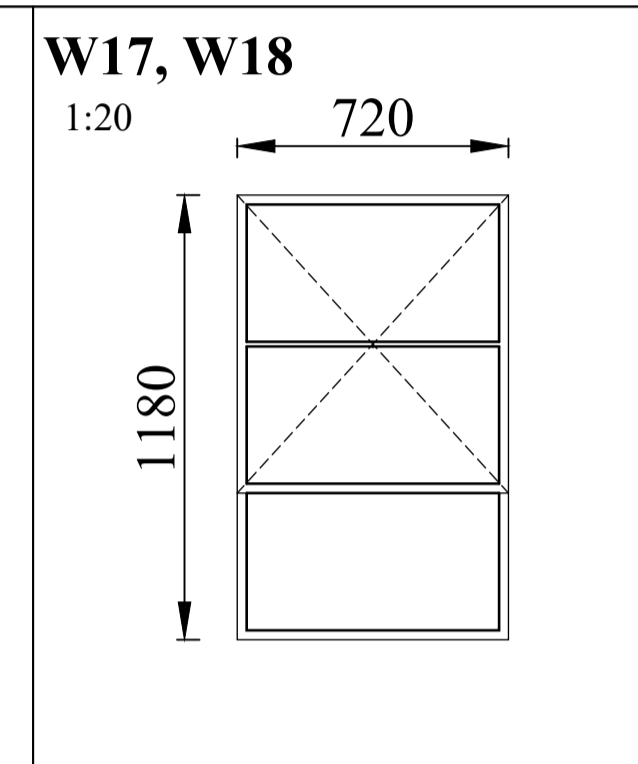
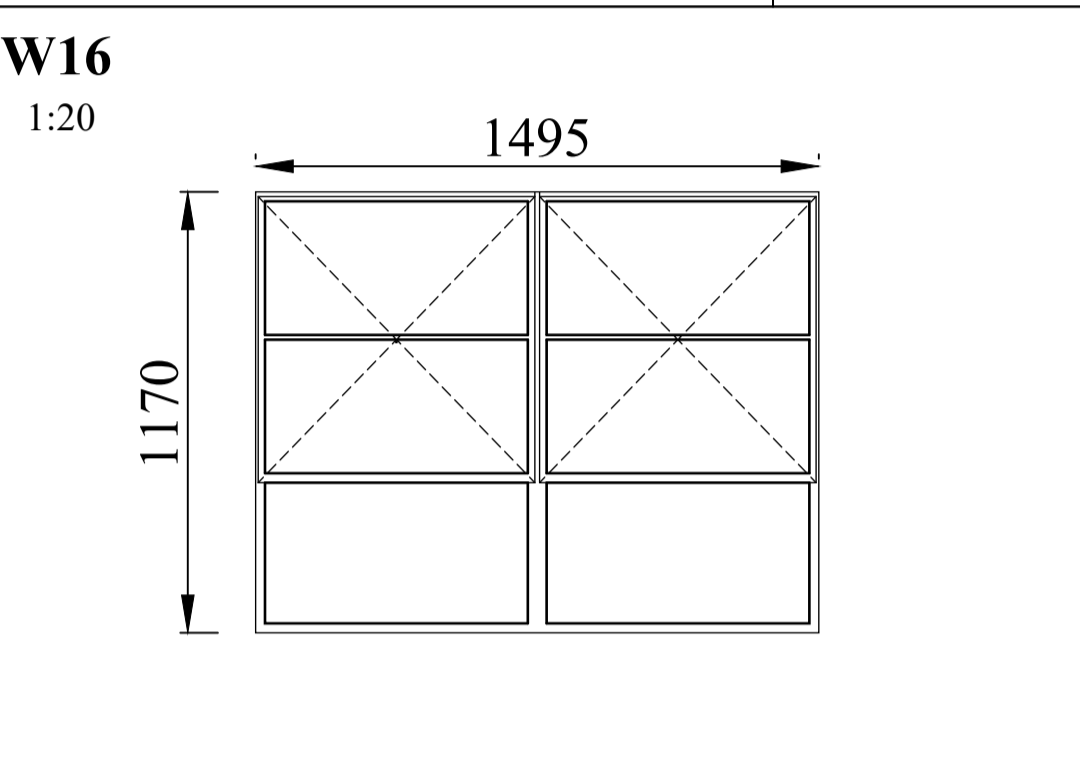
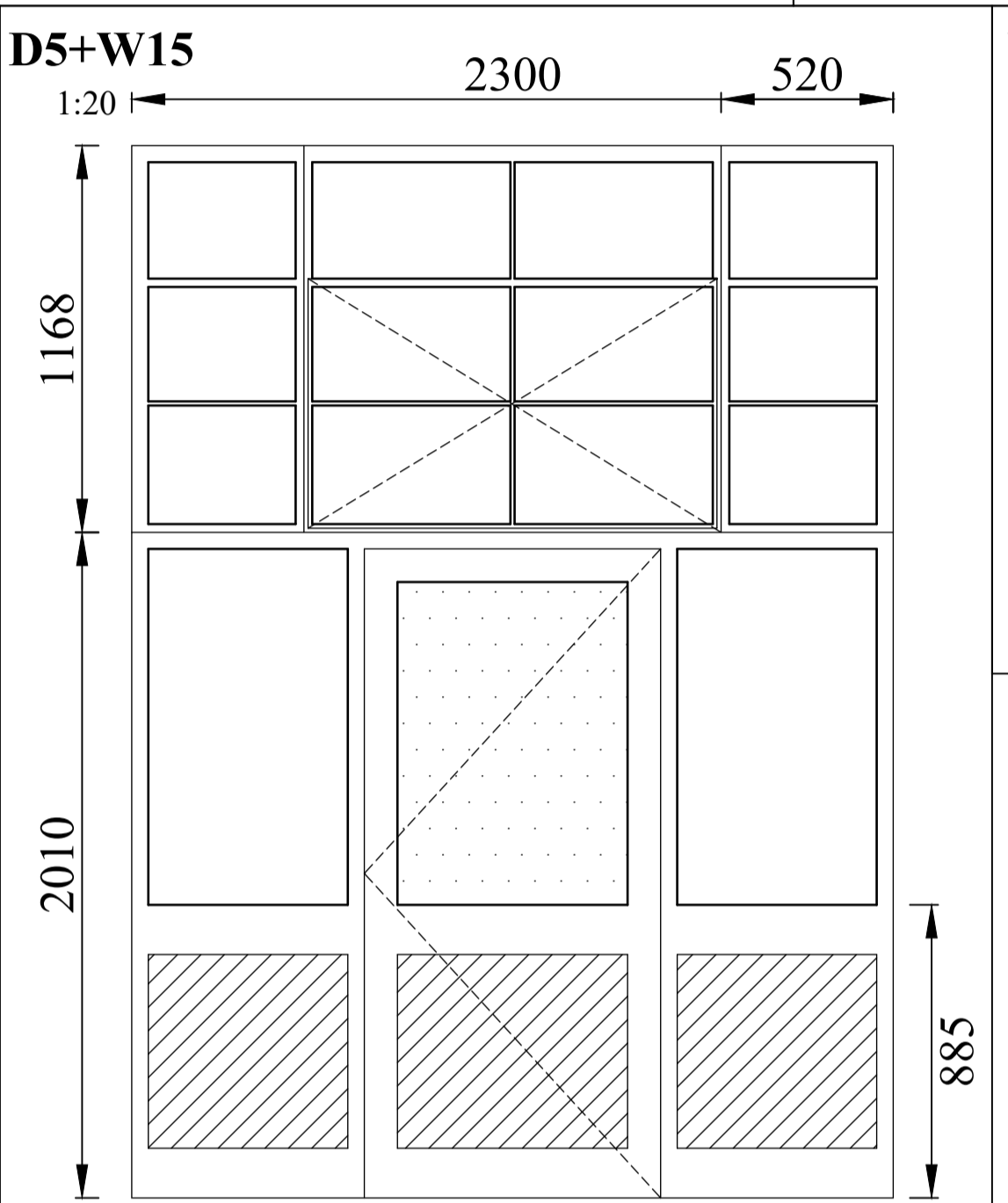
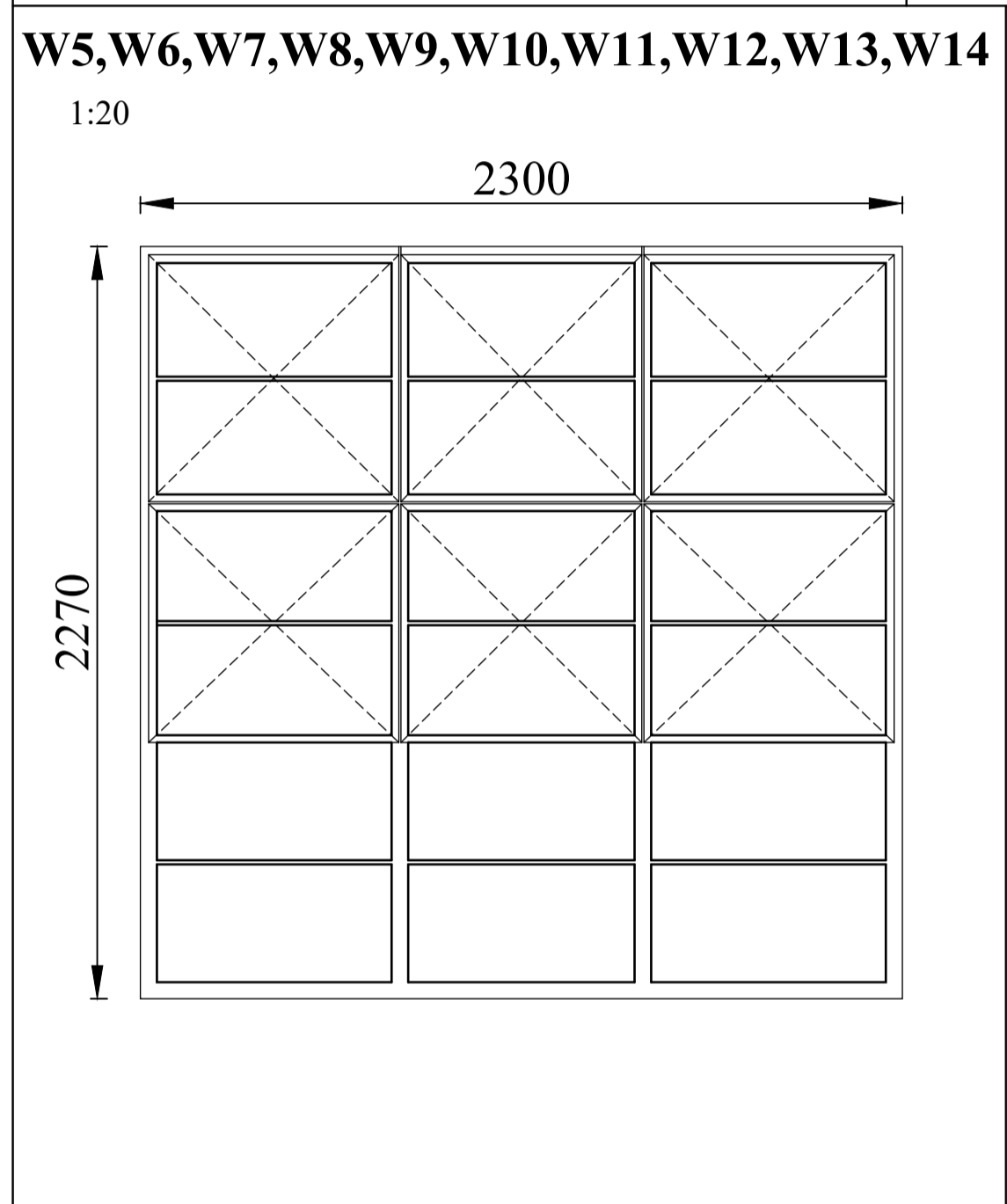


NOTES

- DO NOT SCALE FROM THIS DRAWING.
- ALL LEVELS IN METRES UNLESS NOTED OTHERWISE ON DRAWING.
- ALL DIMENSIONS AND LEVELS TO BE CHECKED ON SITE PRIOR TO UNDERTAKING ANY WORKS, ORDERING MATERIALS OR FABRICATING ANY COMPONENTS.
- THIS DRAWING IS TO BE READ IN CONJUNCTION WITH ALL OTHER RELEVANT ENGINEERS AND ARCHITECT'S DRAWINGS AND RELEVANT SPECIFICATION CLAUSES.
- REPRODUCED FROM THE ORDNANCE SURVEY'S MAPS WITH THE PERMISSION OF THE CONTROLLER OF HIS MAJESTY'S STATIONARY OFFICE. CROWN COPYRIGHT. LICENCE NO. AC0000855691

KEY



DRAWING ID CODE	HEIGHT	WIDTH	No.
D1	2070	2115	1
D2	2070	2110	1
D3	2060	2110	1
W1-W3	1780	1830	3
W4	2210	720	1
D4	2120	1250	1
W5 - W14	2270	2300	10
D5	2010	2300	1
W15	1168	2300	1
W16	1170	1495	1
W17 + W18	1180	720	2
W19	1520	1485	1
TOTAL			24

NOT FOR CONSTRUCTION

S2	PO	DATE	FIRST ISSUE	WR	APPR	AUTH

PROJECT TITLE: **YSGOL MAES OWEN WS**

DRAWING REF: **WINDOW SCHEDULE**

DRAWING ID: **22026L-CCE-XX-XX-DR-C-0002**

ORIGINATOR	DATE	SCALE @ A1	SUITABILITY	REVISION
W.R	30.06.2026	1:20	S2	P01



Address: CADARN Consulting Engineers Ltd,
Suite B,
Anglesey Business Centre,
Bryn Cefni,
Llangefni,
LL77 7XA
E-mail: Admin@cadarnconsulting.co.uk
Tel: 01407 730912