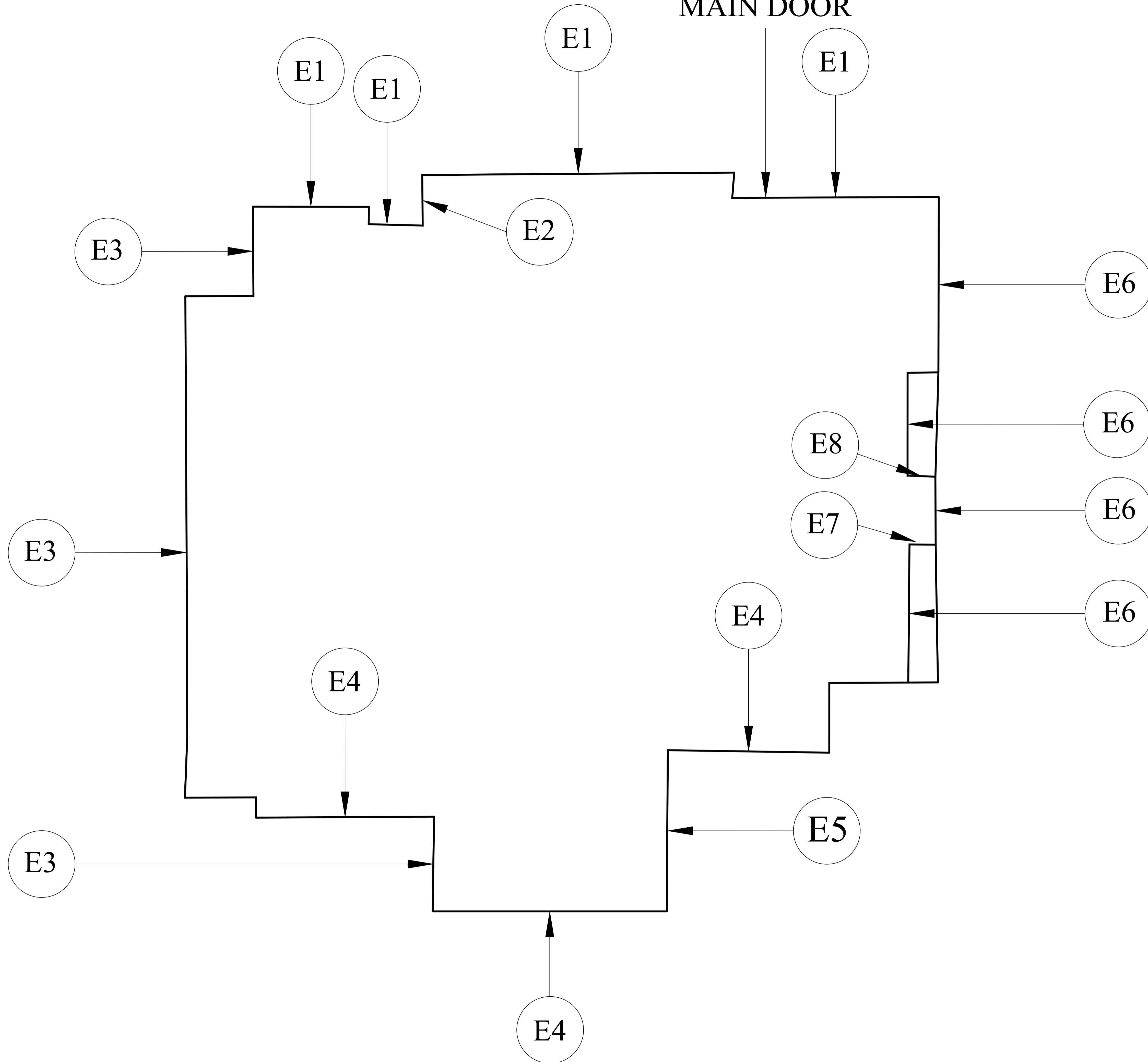


# MAIN DOOR



### NOTES

1. DO NOT SCALE FROM THIS DRAWING.
2. ALL LEVELS IN METRES UNLESS NOTED OTHERWISE ON DRAWING.
3. ALL DIMENSIONS AND LEVELS TO BE CHECKED ON SITE PRIOR TO UNDERTAKING ANY WORKS, ORDERING MATERIALS OR FABRICATING ANY COMPONENTS.
4. THIS DRAWING IS TO BE READ IN CONJUNCTION WITH ALL OTHER RELEVANT ENGINEER'S AND ARCHITECT'S DRAWINGS AND RELEVANT SPECIFICATION CLAUSES.
5. REPRODUCED FROM THE ORDNANCE SURVEY'S MAPS WITH THE PERMISSION OF THE CONTROLLER OF HIS MAJESTY'S STATIONARY OFFICE. CROWN COPYRIGHT. LICENCE NO. AC0000855691

**NOT FOR CONSTRUCTION**

NO	REV	DATE	DESCRIPTION	BY	CHKD	APPD	Auth.

PROJECT TITLE:

YSGOL Y FORYD

DRAWING TITLE:

PLAN VIEW

DRAWING REF:

21926L-CCE-XX-XX-DR-C-0001

ORIGINATOR	DATE	SCALE @ A1	SUITABILITY	REVISION
W.R	03.06.2026	NTS	S2	P01



Address: CADARN Consulting Engineers Ltd,  
Suite B,  
Anglesey Business Centre,  
Bryn Cefni,  
Llangefni,  
LL77 7XA  
Tel: 01407 730912  
E-mail: Admin@cadarnconsulting.co.uk