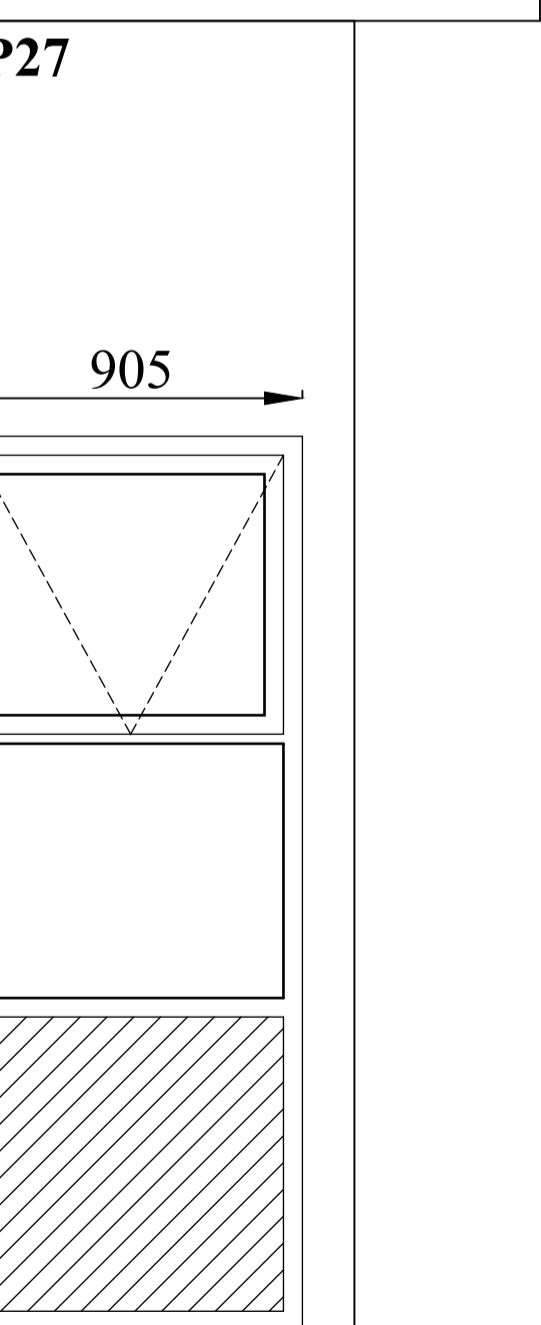
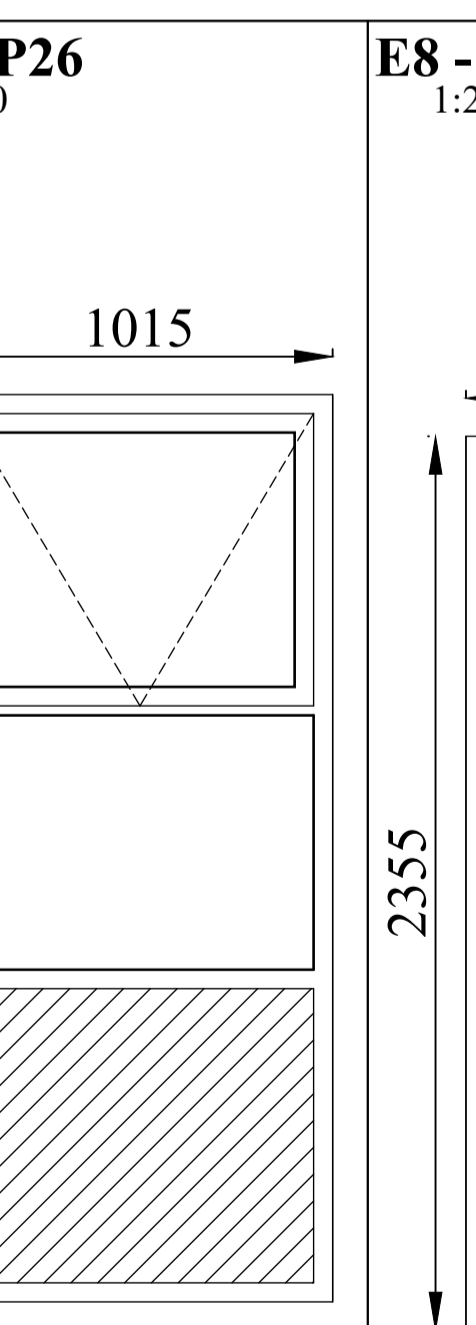
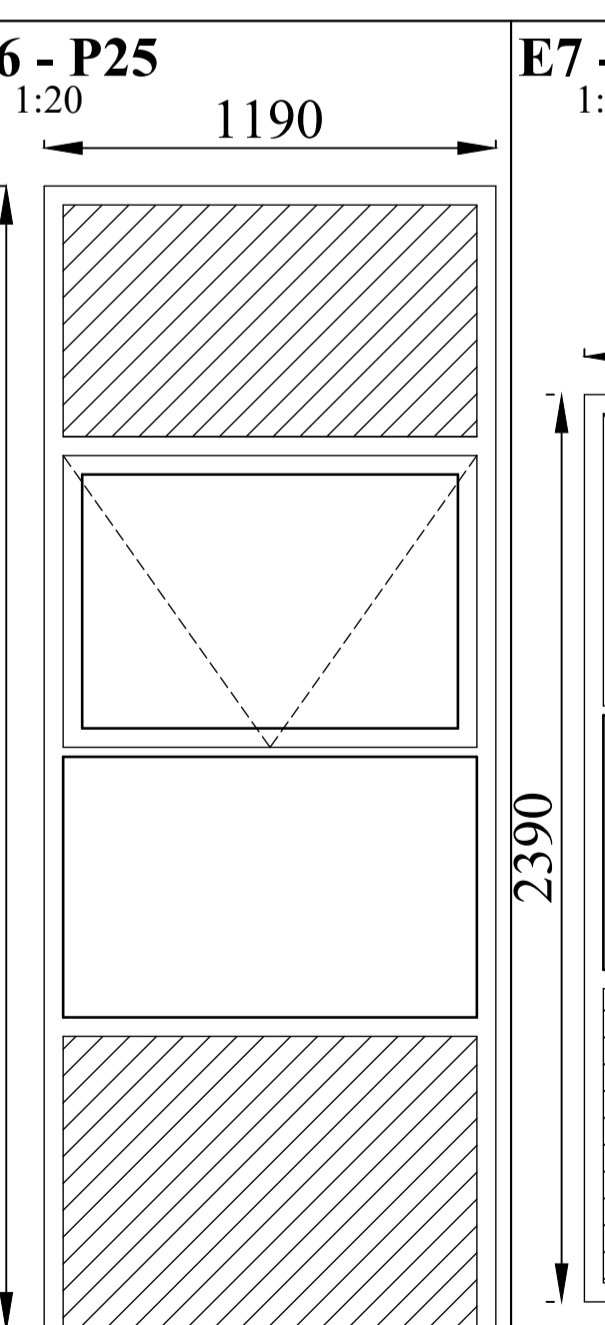
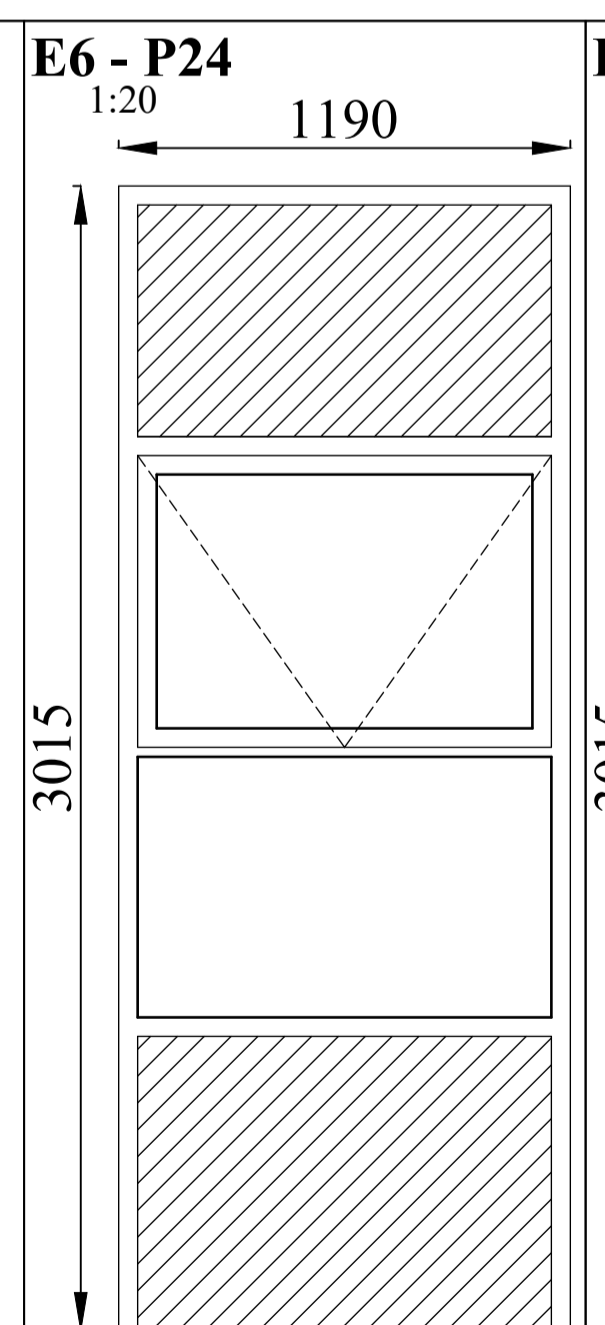
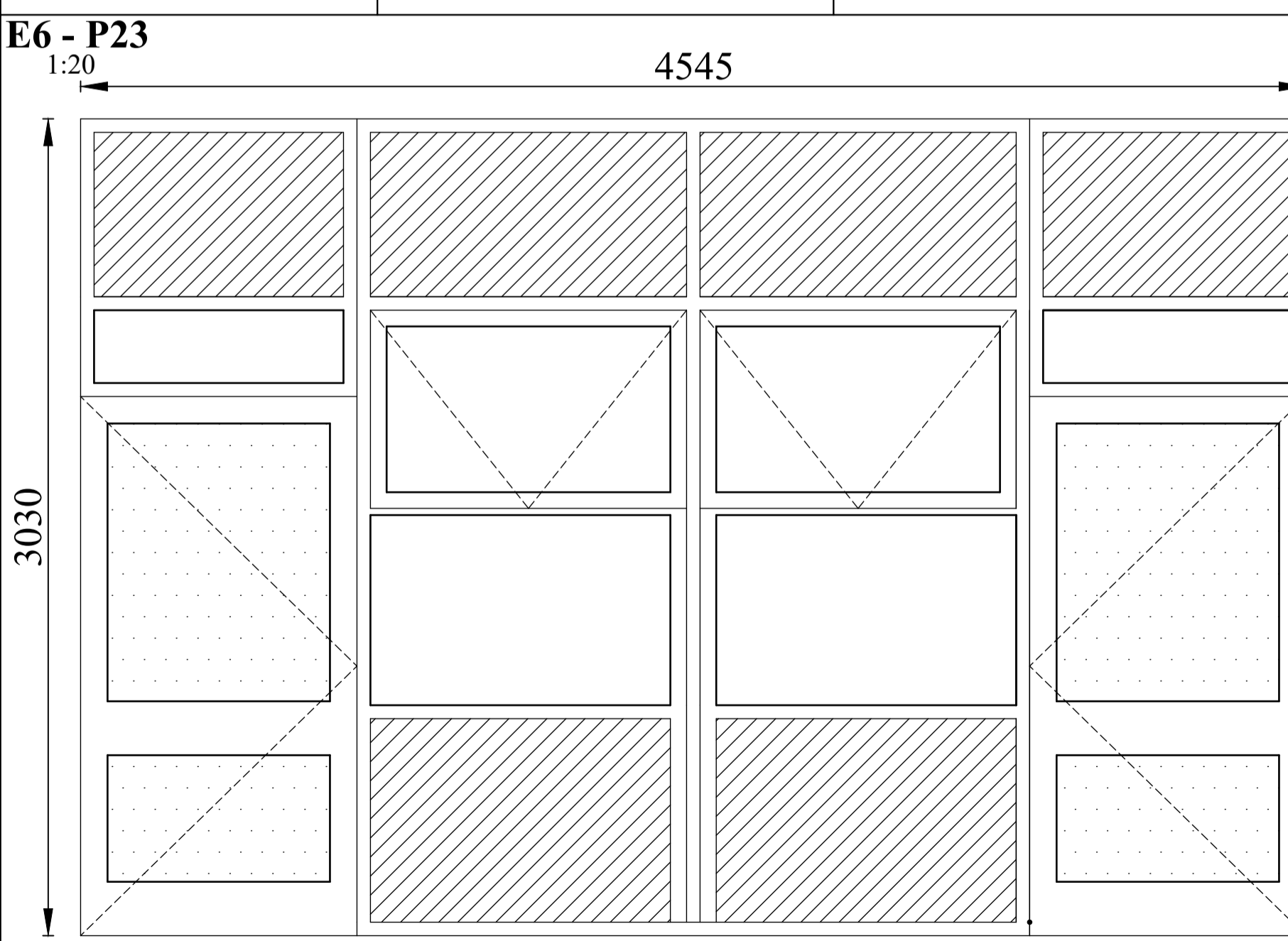


DRAWING ID CODE	ELEVATION	HEIGHT	WIDTH	No.
E4 - P14	4	3020	2415	1
E4 - P15	4	3020	1200	1
E4 - P16	4	3060	4175	1
E4 - P17	4	3060	4230	1
E4 - P18	4	3080	1730	1
E4 - P19	4	1585	910	1
E4 - P20	4	1585	1260	1
E5 - P21	5	3050	1245	1
E6 - P22	6	2390	5775	1
E6 - P23	6	2370	4545	1
E6 - P24	6	3015	1190	1
E6 - P25	6	3015	1190	1
E7 - P26	7	2390	1015	1
E8 - P27	8	2355	905	1
TOTAL				14
OVERALL TOTAL				27

- NOTES**
- DO NOT SCALE FROM THIS DRAWING.
 - ALL LEVELS IN METRES UNLESS NOTED OTHERWISE ON DRAWING.
 - ALL DIMENSIONS AND LEVELS TO BE CHECKED ON SITE PRIOR TO UNDERTAKING ANY WORKS, ORDERING MATERIALS OR FABRICATING ANY COMPONENTS.
 - THIS DRAWING IS TO BE READ IN CONJUNCTION WITH ALL OTHER RELEVANT ENGINEER'S AND ARCHITECT'S DRAWINGS AND RELEVANT SPECIFICATION CLAUSES.
 - REPRODUCED FROM THE ORDNANCE SURVEY'S MAPS WITH THE PERMISSION OF THE CONTROLLER OF HIS MAJESTY'S STATIONARY OFFICE. CROWN COPYRIGHT. LICENCE NO. AC0000855691



KEY

NOT FOR CONSTRUCTION

S2	REV	DATE	DESCRIPTION	ENG	CHKD	APPR	DATE
S2	01	18/06/24	UPDATED TO MATCH AMENDMENTS	WR			
S2	01	03/06/24	FIRST ISSUE	WR			

PROJECT TITLE: YSGOL Y FORYD

DRAWING REF: **22126L-CCE-XX-XX-DR-C-0004**

ORIGINATOR: W.R | DATE: 03.06.2026 | SCALE @ A1: Stated | SUITABILITY: S2 | REVISION: P02

CADARN
CONSULTING ENGINEERS

Address: CADARN Consulting Engineers Ltd,
Suite B,
Anglesey Business Centre,
Bryn Cefni,
Llangefni,
LL77 7XA | E-mail: Admin@cadarnconsulting.co.uk | Tel: 01407 730912